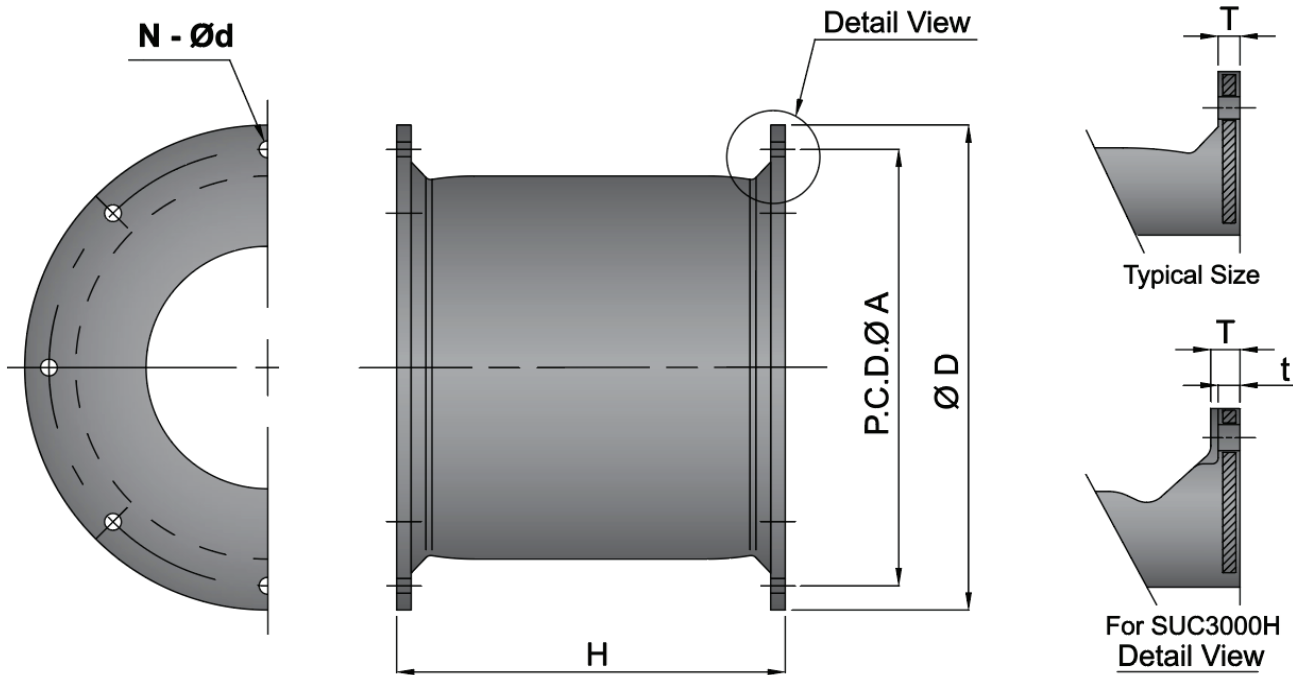


Cell Fenders

PPI Cell fenders are unique, having a high energy absorption to reaction force ratio as one of its salient features. They are cylindrical in shape with two steel mounting plates firmly bonded to both ends of the main rubber column during vulcanization. The fender performance is developed by compression and column buckling.

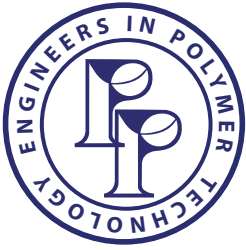


PPI Cell fender dimensions

Fender Size	H	D	A	N	d (Performance grade dependent)					T	Approx. Mass (kg)
					R1	RO	RH	RS	RE		
PPI 400	400	650	550	4	30			30	17	75	
PPI 500	500	650	550	4	28			28	18	100	
PPI 630	630	840	700	4	28			30	25	210	
PPI 800	800	1050	900	6	28			30	30	405	
PPI 1000	1000	1300	1100	6	35			39	35	765	
PPI 1150	1150	1500	1300	6	40			44	37	1155	
PPI 1250	1250	1650	1450	6	39			44	40	1495	
PPI 1450	1450	1850	1650	6	47			53	42	2165	
PPI 1600	1600	2000	1800	8	46			53	45	2885	
PPI 1700	1700	2100	1900	8	46			52	50	3495	
PPI 2000	2000	2200	2000	8	53			58	50	4835	

Note:

1. All units in mm unless otherwise stated.
2. d = bolt hole size in fender mounting flanges



Cell Fenders

Performance ratio for PPI cell fender

